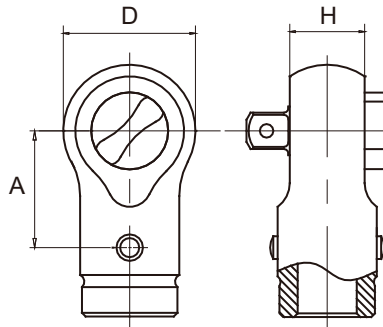


DR Series Round Hole Ratchet Head
(Clockwise & Counter-Clockwise)

For Round Holder Head Torque Wrenches



DR Model

Item No.	Square Drive	Round Hole mm	A mm	H mm	D mm	Weight g
DR12120	1/4"	φ 12	20.5	16.2	30	100
DR16125	1/4"	φ 16	31.8	21	38	150
DR162160	3/8"	φ 16	31.8	21	38	175
DR163420	1/2"	φ 16	31.8	21	40	280
DR2241200	3/4"	φ 22	56	32	60	1200
DR2251200	1"	φ 22	56	32	60	1300