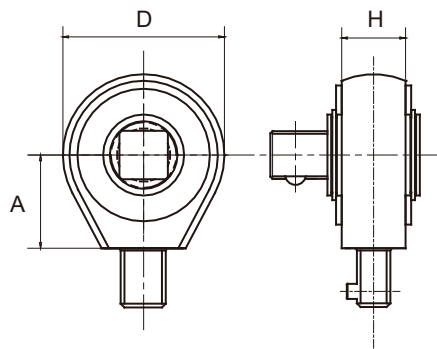


DXH Series
Square Drive Push-Through Ratchet Head

For Rectangular Shank Head Torque Wrenches



DXH Model

Item No.	Square Drive	Shank Size mm	A mm	H mm	D mm	Weight g
DXH9125	1/4"	9x12	24.8	17	40	190
DXH92160	3/8"	9x12	24.8	17	40	200
DXH93160	1/2"	9x12	24.8	17	48	260
DXH143420	1/2"	14x18	24.8	17	48	325
DXH144420	3/4"	14x18	39	26	69	1020
DXH2441200	3/4"	24x32	39	26	69	1350
DXH2451200	1"	24x32	51	32	91	2120
DXH2753000	1"	27x36	51	32	91	2230

Application of Push-Through Head:

