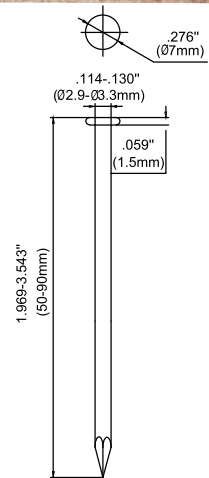


HIGH LEVEL AIR NAILER



21° Round Head Framing Nailer



RHF9021

RHF9021

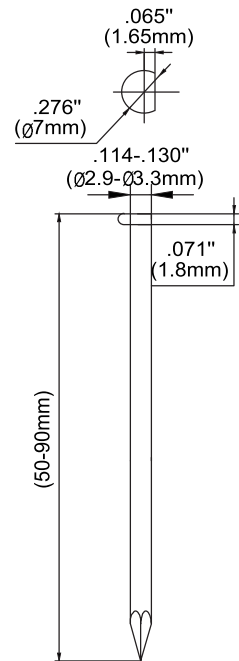
Main features:

- RHF9021-A with depth adjusting device, Both of aluminum magazine.
- Large piston for increased power.
- Rubber comfortable power.
- Safety system protects the operator.
- Tool hook can be installed.
- Single fire or sequential fire available.
- STANDARD EQUIPMENT:
Nailer, carrying case ,oil, allen wrenches, goggle and operating manual.

SPECIFICATIONS

Model No. RHF9021	Dimension: 526x355x132mm (20.70"x13.97"x5.19")
weight: 3.99kg(8.79lb)	Required Pressure: 80-120PSI(5.5-8bar)
Max.Pressure: 120PSI(8.3bar)	Nail Capacity: 2x30PCS

34 ° Clipped Head Framing Nailer



SPECIFICATIONS

Model No. CHF9034	Dimension: 482x354x152mm (18.97"x13.97"x5.98")
weight: 3.99kg(8.79lb)	Required Pressure: 80-120PSI(5.5-8bar)
Max.Pressure:120PSI(8.3bar)	Nail Capacity: 20x40pcs

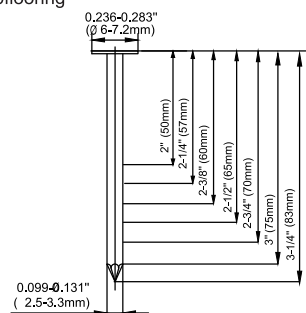
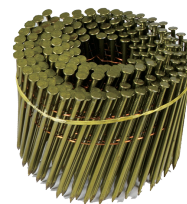
Coil Framing Nailer



CN83

Main features:

- Heat treated aluminum Housing -- extra heavy duty industrial design.
 - Selective actuation switch (sequential or bump) for convenience.
 - Extra fast at the rate of 3 nails per second.
 - Powerful for tough engineered lumber and pallet.
 - Tool-Free precise adjustable depth of drive.
 - Comfortable over-molded rubber grip.
 - Single-action side-load high-capacity magazine that holds up to 225-300 coil nails and reduces downtime.
 - The tool drives 15-Degree wire collated coil framing nails 2-Inch by 0.099-Inch to 3-1/4-Inch by .131-Inch.
 - Compact body design for better balance and control.
- APPLICATIONS:
- Crating, Fencing, Siding, decking and sheathing, framing, subflooring



SPECIFICATIONS

Model No. CN83	Dimension: 316x360x136.5mm (12.44"x14.17"x5.37")
weight: 3.9 kg(7.9Lb)	Required Pressure: 70-120PSI(4.8-7.5bar)
Max.Pressure: 120PSI(8.3bar)	Nail Capacity: 200-300PCS

HIGH LEVEL AIR NAILER



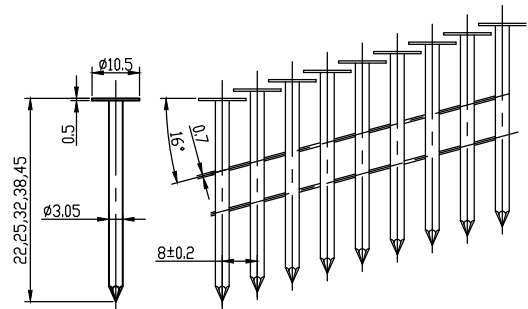
Coil Roofing Nailer



CN45RA

Main features:

- Light weight and well balanced for easy operating.
- Superior power with hardened one piece piston for professional application.
- Open nose design, for easy extraction of a jammed nail.
- Tool free depth of drive adjustment, for flush or countersunk drive into varying material.
- Hardened claw tip, reduces wear and limits slippage when driving at a stand angle.



SPECIFICATIONS

Model No. CN45RA	Dimension: 283X280X115mm (11.14"x11.02"x4.52")
weight: 2.5kg(5.5Lb)	Required Pressure: 70-110PSI(4.8-7.5bar)
Max. Pressure: 120PSI(8.3bar)	Nail Capacity: 120PCS

0°Coil Siding Nailer



- Lightweight and durable.
- Drives 1-1/2" to 2-1/2" 0° plastic coil nails.
- High-capacity side-load magazine.
- Tool-less depth adjustment.
- Durable construction.

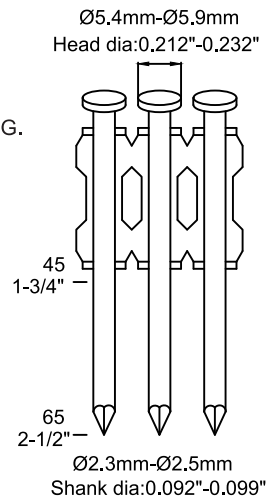
APPLICATIONS:

ROOF DECKING, UNDERLAYMENT,

WALL SHEATHING, FRAMING,

RECREATIONAL DECKS,

FURRING STRIPS, SIDING SHEATHING.



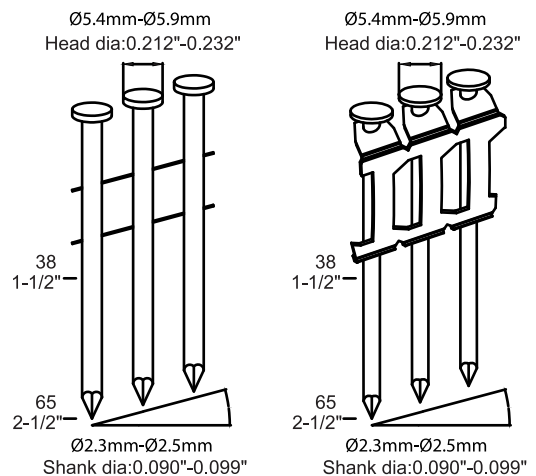
SPECIFICATIONS

Model No. CN65ZRA	Dimension: 282mm*316mm*145mm(11.1"*12.44"*5.71")
weight: 2.3kg(5.06lb)	Required Pressure: 70-120PSI(4.8-8.3Bar)
Max. Pressure: 120PSI(8.3bar)	Nail Capacity: 300pcs

15°Coil Siding Nailer



- Lightweight and durable.
- Drives 1-1/2" to 2-1/2" 15° Wire Collated Coil Nails and plastic coil nails.
- High-capacity side-load magazine.
- Tool-less depth adjustment.
- Durable construction.



SPECIFICATIONS

Model No. CN65RA	Dimension: 282mm*316mm*132mm(11.1"*12.44"*5.2")
weight: 2.3kg(5.06lb)	Required Pressure: 70-120PSI(4.8-8.3Bar)
Max. Pressure: 120PSI(8.3bar)	Nail Capacity: 250pcs

INDUSTRIAL FRAMING NAILER

Coil Framing Nailer



Multi-directional exhaust port directs air away from operator and work surface.

Aluminum oxidized magazine for durability and large capacity

Trigger lock-off allows trigger to be disabled when not in use.

Tool free depth control for accurate depth setting.

Non-marring rubber driver tip protects the working surface.

Soft grip handle with extra comfort and control

Big load air container makes the tool more powerful.

1/4" NPT chrome quick coupler

Available with either sequential and contact fire triggers.

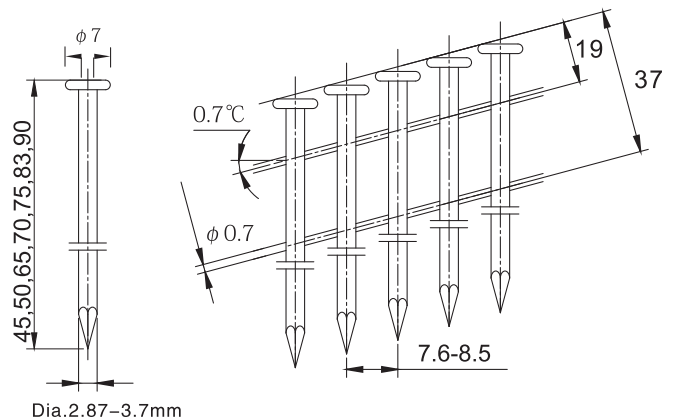
Big loading capacity magazine will fasten a full bundle of shingles without reloading.



- Use 15 degree 1-3/4 " to 3-1/2" wire collated nails.
- Bump firing mold for fast fastening.
- Trigger lock-off allows trigger to be disabled when not in use.
- Delivers the power to consistently drive nails in the toughest applications.
- Available with either sequential and contact fire triggers.
- Sets nails properly every time with a tool-free depth of drive with detents.
- Big loading capacity magazine will fasten a full bundle of shingles without reloading.

SPECIFICATIONS

Model No. MCN90	Dimension: 376x356x132mm
Weight: 4.25kg(9.35Lb)	Required Pressure: 90-110PSI(6.1-7.5bar)
Max. Pressure: 120PSI(8.3bar)	Nail Capacity: 225PCS



M SERIES COIL PALLET NAILER



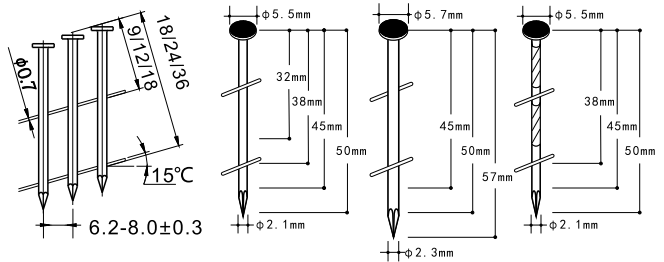
MCN55

Features and Benefits:

- Light weight
- Rugged magazine
- Drives 300 – 350 nails continuously by full-loading.
- Multi-directional exhaust
- Comfortable rubber grip
- Equipped with dust cover and body protector

Application:

- Making pallets, drums and export wooden boxes
- Crating
- Making wooden fence
- General construction applications including siding, decking and sheathing



SPECIFICATIONS

Model No. MCN55	Dimension: 283x313x270mm (11.14"x12.32"x10.62")
weight: 2.7kg	Required Pressure: 85-115PSI(5.8-8bar)
Max. Pressure: 120PSI(8.3bar)	Nail Capacity: 300-350pcs



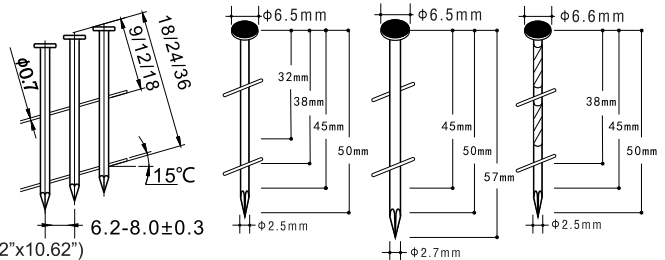
MCN55B

Features and Benefits:

- Light weight
- Rugged magazine
- Drives 300 – 350 nails continuously by full-loading.
- Multi-directional exhaust
- Comfortable rubber grip
- Equipped with dust cover and body protector

Application:

- Making pallets, drums and export wooden boxes
- Crating
- Making wooden fence
- General construction applications including siding, decking and sheathing



SPECIFICATIONS

Model No. MCN55B	Dimension: 283x313x270mm (11.14"x12.32"x10.62")
weight: 2.7kg	Required Pressure: 85-115PSI(5.8-8bar)
Max. Pressure: 120PSI(8.3bar)	Nail Capacity: 300-350pcs

M SERIES COIL PALLET NAILER



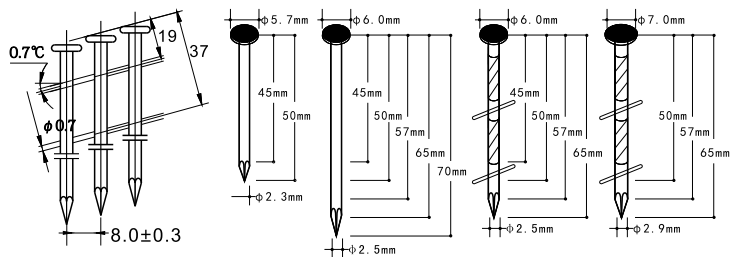
MCN70

Features and Benefits:

- Rugged magazine
- Drives 225-300 nails continuously by full-loading.
- Comfortable rubber grip
- Equipped with dust cover and body protector

Application:

- Making pallets, drums and export wooden boxes
- Crating
- Making wooden fence
- Heavy-duty packaging
- General construction applications including siding, decking and sheathing



SPECIFICATIONS

Model No. MCN70	Dimension: 315x128x306mm (12.40"x5.03"x11.88")
weight: 3.8kg	Required Pressure: 85-115PSI(5.8-8bar)
Max.Pressure:120PSI(8.3bar)	Nail Capacity: 225-300pcs



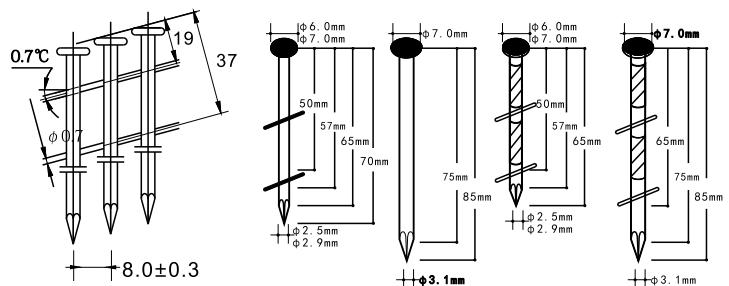
MCN80

Features and Benefits:

- Rugged magazine
- Drives 300 nails continuously by full-loading.
- Multi-directional exhaust
- Comfortable rubber grip
- Equipped with dust cover and body protector

Application:

- Making pallets, drums and export wooden boxes
- Crating
- Making wooden fence
- Heavy-duty packaging
- General construction applications including siding, decking and sheathing



SPECIFICATIONS

Model No. MCN80	Dimension: 362x132x307mm (14.25"x5.19"x12.08")
weight: 4kg	Required Pressure: 85-115PSI(5.8-8bar)
Max.Pressure:120PSI(8.3bar)	Nail Capacity: 300-350pcs

Coil Framing Nailer



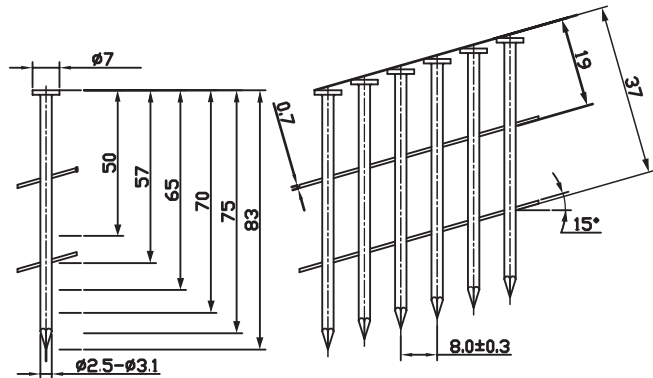
MCN80F

Features and Benefits:

- Rugged magazine
- Drives 300 nails continuously by full-loading.
- Multi-directional exhaust
- Comfortable rubber grip
- Equipped with dust cover and body protector

Application:

- Framing
- Wall sheathing
- Roof sheathing
- Floor decking



SPECIFICATIONS

Model No. MCN80F	Dimension: 373x338x132mm (14.68"x13.3"x5.19")
Weight: 4.2kg	Required Pressure: 85-115PSI(5.8-8bar)
Max. Pressure: 120PSI(8.3bar)	Nail Capacity: 300-350pcs



COIL PALLET NAILER

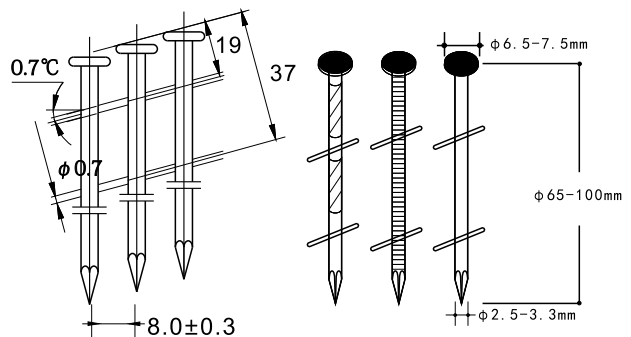
MCN100

Features and Benefits:

- Most powerful tool in its class, able to countersink nails into hard oak pallet
- Durable aluminum frame and cylinder cap
- Well balanced when hung on balancer
- Downwards directional exhaust
- Built-in silencer to reduce noise level
- Comfortable rubber grip
- Big magazine allows extra nail capacity

Application:

- Heavy duty pallets



SPECIFICATIONS

Model No. MCN100	Dimension: 417x156x336mm (16-3/8"x6-1/8"x13-1/4")
Weight: 5.3kg(11.6Lbs)	Required Pressure: 85-115PSI(5.8-8bar)
Max. Pressure: 120PSI(8.3bar)	Nail Capacity: 150-300pcs



Metal Connector Nailer

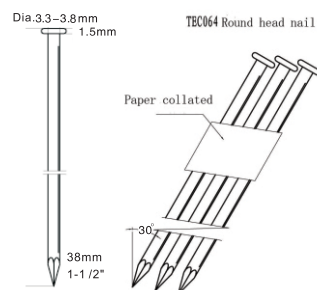
TEC064

Features and Benefits

- Compact design fits between 16" O.C. joists.
- Low nail lockout prevents dry fires.
- Exclusive safety system prevents misfires.
- Exposed nail tip design fires in the hole for faster, more precise nailing.
- Drives 1-1/2" paper tape collated metal connector nails (131" - .148" diameter).

Application

- Strapping
- Joist Hangers
- Hurricane Ties
- Rafter Ties/Connectors
- Post Bases and Caps
- Anchors



SPECIFICATIONS

Model No. TEC064	Dimension: 319X113X309mm
Weight: 3.1kg(6.83Lb)	Required Pressure: 90-120PSI(6.2-8.3bar)
Max. Pressure: 120PSI(8.3bar)	Nail Capacity: 24PCS

Carton Nailer

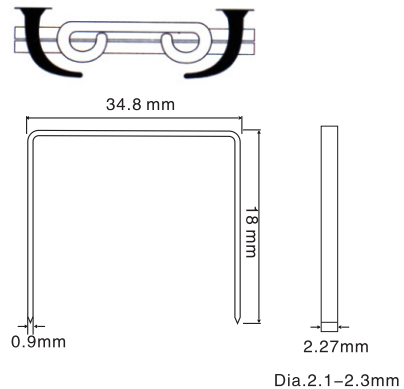


MTA18

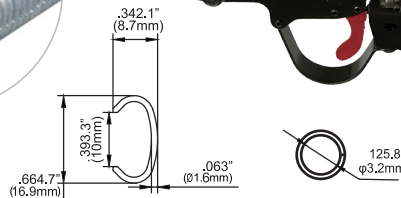
- Light weight with Alu. body gun body.
- Ergonomic design for easy operating.
- Steel contact safety with dual carbide inserts for less wear
- Soft grip for comfort and control.

SPECIFICATIONS

Model No. MTA18	Dimension: 346X227X145mm
Weight: 2.7kg(5.94Lb)	Required Pressure: 70-100PSI(5-7bar)
Max. Pressure: 120PSI(8.3bar)	Nail Capacity: 100PCS

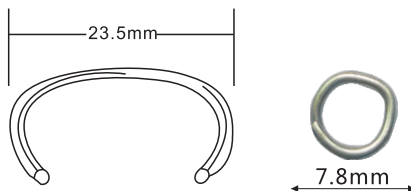
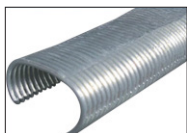


C Hog Ring Nailer



SC7E

RING TYPE	C-RING
CROWN	23.5mm
RING SIZE	3/4"
SIMIAR TO	AC52 SC 442



SPECIFICATIONS

Model No. SC7E	Dimension: 213X339X101mm
Weight: 1.63kg(3.59Lb)	Required Pressure: 60-100PSI(4-7bar)
Max. Pressure: 120PSI(8.3bar)	Nail Capacity: 100PCS

Dimension: 213×339×101mm(8.39"×13.35"×3.98")

Weight: 1.63kg(3.59lb)

Operating Pressure: 80-110psi(5-7bar)

Max. pressure: 120psi(8.3bar)

Load Capacity: 100pcs

FEATURES

- Long fiber compounds make it lighter and faster.
- Reduce operator fatigue.
- Easy loading process.
- Muffler inside provides silent operation
- Extended nose for coiling deeper corner.
- Extended magazine for loading 100 pcs of hog ring is available.

APPLICATION

- Pocket spring mattress assembly.
- Car seating assembly.
- Mattress upholstery (Bedding Industry).
- BAG closure.
- Fences, greenhouses, cages assembly Industry in general.

Crown Stapler



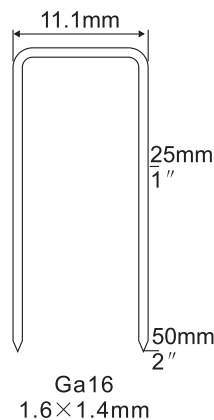
N851A

Features

- Can be used for more than million of times, improved the firing pin.
- Stereoplasm oxidation treatment, Durable and lightweight.
- Low air consumption, low noise, low working pressure,
- High hitting power
- Lockproof, antiskid rubber handle sheath
- Shng time for use and heat treatment air inlet,

Application:

- All kinds of bamboo, wood manufactured goods and plate connection.
- Other materials in bamboo material connection and fixed 360°Adjustable Air Exhaust



SPECIFICATIONS

Model No. N851A	Dimension: 106X299X364mm
weight: 2.7kg(5.9Lb)	Required Pressure:75-110PSI(5.2-5.7bar)
Max. Pressure:120PSI(8.3bar)	Nail Capacity: 150PCS

Wide Crown Stapler



N851NP

- Oxidized aluminum magazine with top loading for durability and large capacity.
- Strong and light weight aluminum die-casting gun body.
- Quick-release nosepiece for fast clearing of jamming nails.
- Wide crown stapler.
- Rubber grip handle for reducing the fatigue of operator.
- Bump firing mode for fast fastening.

COMPATIBLE FASTENER

Makita Senco Hitachi Paslode S150-W16R



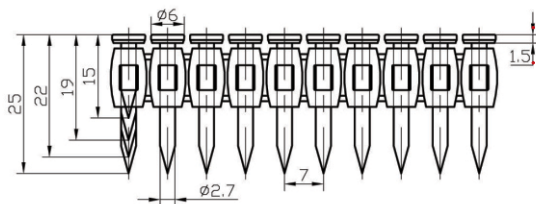
SPECIFICATIONS

Model No. N851NP	Dimension: 362x340x80mm
weight: 2.2kg(4.84Lb)	Required Pressure: 70-110PSI(4.8-7.5bar)
Max. Pressure: 120PSI(8.3bar)	Nail Capacity: 150PCS

Air Concrete Pinner



Round head plastic collated nails



L=15, 19, 22, 25mm

TF1100

FEATURES AND BENEFITS

- Does not require costly proprietary high pressure compressor system – works with conventional air compressors, hoses and fittings.
- 5 Times faster than powder-actuated systems.
- No licensing required to operate.
- Operates in contact or sequential trigger actuation modes.
- Compatible with other brands of pins from ITW/Ramset.
- TrakFast and Powers Trak-it.

APPLICATIONS

- Fastening of drywall track, wood furring, hat channel, ceiling grid to concrete, concrete block and steel.

FASTENERS

- in Length Range: 5/8" to 1".
- in Diameter: 0.104" to 0.118".
- shoots standard black or breakaway style collation pins on TyRex™, ITW/Ramset TrakFast, and Powers Trak-it systems.

SPECIFICATIONS

Model No. TF1100	Dimension: 437X364X126mm
weight: 3.7kg(8.16Lb)	Required Pressure: 90-120PSI(6.2-8.3bar)
Max. Pressure: 120PSI(8.3bar)	Nail Capacity: 30PCS

WIDE CROWN STAPLER



wider and longer

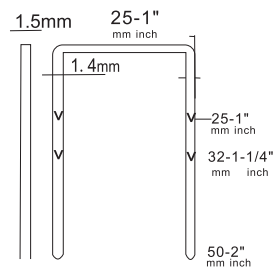
Wide Crown Stapler 2550N

Features and Benefits:

- Soft grip handle, for on the job comfort.
- Top load magazine—Reloads easily and reduces nail waste.
- Lightweight and well balanced—increases productivity.

Application:

- Primarily for lathing. Also capable of handling a variety of other applications, including foam insulation board, corrugated carton to skid, furniture / cabinet frames, butt-joints and asphalt roof shingles.



SPECIFICATIONS

Model No. 2550N	Dimension: 370X280X80mm
weight: 2.786kg(6.06Lb)	Required Pressure: 90-120PSI(6-8bar)
Max. Pressure: 120PSI(8.3bar)	Nail Capacity: 2X70PCS

