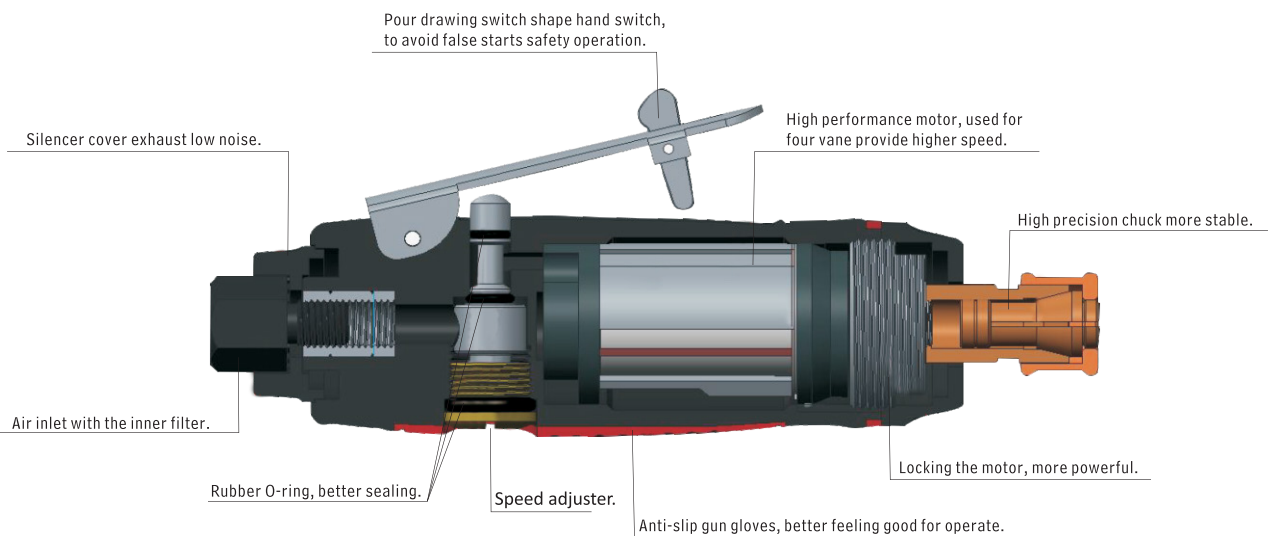


## PROFESSIONAL AIR DIE GRINDER



- lightweight composite material housing.
- Safety lever prevents accidental starts.
- Rear exhaust
- It can be used with all types of accessories for porting, weld breaking, and smoothing sharp edges, as well as deburring, polishing, and grinding.



## 1/4"(6mm) Mini Die Grinder

### AP17313

#### Main features

- Light weight and easy to use.
- Great for high speed grinding, porting smoothing, general polishing and deburring.
- Used for all kinds of mold, metal products and handicrafts, the manufacturing of circuit board, blank finishing, grinding finishing and so on.

**RECOMMENDED AIR PRESSURE: 90PSI(6.3bar)**

#### SPECIFICATIONS

Model No. AP17313 ..... Chuck size: 1/4" and 1/8" ..... Free Speed: 25,000RPM  
Overall Length: 5.9"(151mm) ..... Air Inlet: 1/4" ..... Sug. Air Comp: 1.5HP  
Net Weight: 0.32Kg ..... Air Hose: 3/8" ID .....  
Avg. Air Consumption: 3cfm (85.5 l/min) .....



## 1/4"(6mm) Die Grinder

### AP17314

#### Main features

- Light weight and easy to use.
- Great for high speed grinding, porting smoothing, general polishing and deburring.
- Used for all kinds of mold, metal products and handicrafts, the manufacturing of circuit board, blank finishing, grinding finishing and so on.

**RECOMMENDED AIR PRESSURE: 90PSI(6.3bar)**

#### SPECIFICATIONS

Model No. AP17314 ..... Chuck size: 1/4" and 1/8" ..... Free Speed: 22,000RPM,  
Overall Length: 7.0"(180mm) ..... Air Inlet: 1/4" ..... Sug. Air Comp: 1.5HP  
Net Weight: 0.54Kg ..... Air Hose: 3/8" ID .....  
Avg. Air Consumption: 4.5cfm (128.2 l/min) .....



## 1/4"(6mm) Angle Die Grinder

### AP17315

#### Main features

- Light weight and easy to use.
- Great for high speed grinding, porting smoothing, general polishing and deburring.
- Used for all kinds of mold, metal products and handicrafts, the manufacturing of circuit board, blank finishing, grinding finishing and so on.

**RECOMMENDED AIR PRESSURE: 90PSI(6.3bar)**

#### SPECIFICATIONS

Model No. AP17315 ..... Chuck size: 1/4" and 1/8" ..... Free Speed: 20,000RPM  
Overall Length: 6.1"(156mm) ..... Air Inlet: 1/4" ..... Sug. Air Comp: 1.5HP  
Net Weight: 0.45Kg ..... Air Hose: 3/8" ID .....  
Avg. Air Consumption: 3cfm (85.5 l/min) .....

