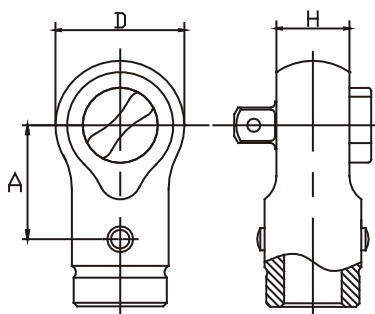


DR

Ratchet Head

for Round Holder Head Torque Wrench



Metric

| Item No. | Square Drive | Round hole mm | A mm | H mm | D mm | Weight g |
|-----------|--------------|---------------|------|------|------|----------|
| DR12120 | 1/4" | φ 12 | 20.5 | 16.2 | 30 | 100 |
| DR16125 | 1/4" | φ 16 | 31.8 | 21 | 38 | 150 |
| DR162160 | 3/8" | φ 16 | 31.8 | 21 | 38 | 175 |
| DR163420 | 1/2" | φ 16 | 31.8 | 21 | 40 | 280 |
| DR2241200 | 3/4" | φ 22 | 56 | 32 | 60 | 1200 |
| DR2251200 | 1" | φ 22 | 56 | 32 | 60 | 1300 |

Note: Due to the product improvement, the technical parameters are subject to variation, please refer to the actual production from the factory.