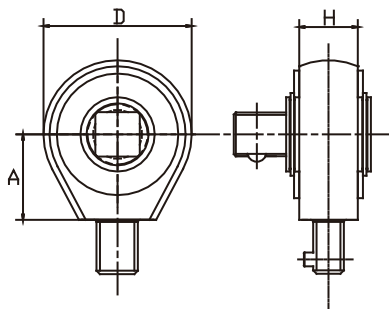


**DH**

**Ratchet Head**  
for Rectangular Shank Head Torque Wrench



**Metric**

Item No.	Square Drive	Shank Size mm	A mm	H mm	D mm	Weight g
DH9120	1/4"	9x12	17.5	16.2	30	90
DH9125	1/4"	9x12	17.5	16.2	38	135
DH92160	3/8"	9x12	17.5	21	38	160
DH93160	1/2"	9x12	17.5	21	38	160
DH142160	3/8"	14x18	25	21	40	265
DH143420	1/2"	14x18	25	21	40	280
DH144420	3/4" *	14x18	25	21	40	305
DH2441200	3/4"	24x32	35	32	60	1040
DH2451200	1" *	24x32	35	32	60	1140
DH2753000	1"	27x36	50	42	75	1720

\* marks are special fittings, you should adjust the torque according to torque wrench manual

Note: Due to the product improvement, the technical parameters are subject to variation, please refer to the actual production from the factory.