

3/4" Air Impacttools™

NEW



2145QiMAX-AP - Short anvil

2145QiMAX-3 - 75 mm anvil

2145QiMAX-6 - 150 mm anvil

- 1 830 Nm (1 350 ft-lb).
- Only 3.35 kg (2145QiMAX-AP).
- Twin-hammer impact mechanism.
- Steel hammer case and composite housing.
- 1-hand forward and reverse switch.
- 4-position power regulator.
- Ring & hole-through anvil.
- Accessories: **2145M-BOOT** (CPN: 48385033), protective tool boot.

2161XP - Short anvil

2161XP-6 - 150 mm anvil

- 1 695 Nm (1 250 ft-lb).
- Only 5.4 kg (2161XP).
- Twin-hammer impact mechanism.
- Steel hammer case.
- 3-position power regulator.
- Ring type anvil.

Accessories: **2161-BOOT** (CPN: 45505401), protective tool boot.

259 - Short anvil

- 1 424 Nm (1 050 ft-lb).
- Only 4.0 kg and 218 mm.
- Pinless single swinging-hammer impact mechanism.
- 2-position power regulator.
- Ring type anvil.

Accessories: **259-BOOT** (CPN: 45661899), protective tool boot.

SK6M6L (CPN: 81287401)

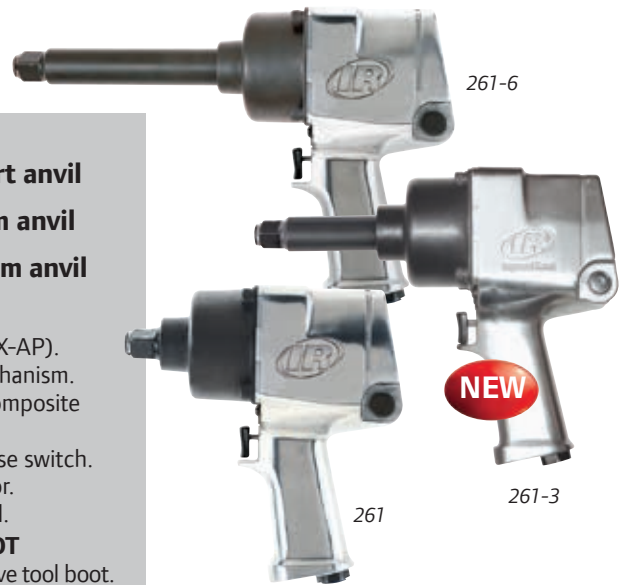
3/4" socket set. Contains 6 extended sockets (24, 27, 30, 32, 33 and 36 mm).



2161XP

2161XP-6

259



261-6

261

261-3

261 - Short anvil

261-3 - 75 mm anvil

261-6 - 150 mm anvil

- 1 491 Nm (1 100 ft-lb).
- Jumbo-hammer impact mechanism.
- Steel hammer case.
- 5-position power regulator
- Ring type anvil.
- Accessories: **261-BOOT** (CPN: 45505468), protective tool boot.

Service Kits



| | A | B |
|--------------------|----------|-----------|
| 2145QiMAX | 2145-TK2 | 2145-THK2 |
| 2145QiMAX-3 | 2145-TK2 | 2145-THK2 |
| 2145QiMAX-6 | 2145-TK2 | 2145-THK2 |
| 2161XP | 2161-TK2 | - |
| 2161XP-6 | 2161-TK2 | - |
| 261 | 261-TK2 | 216-THK1 |
| 261-3 | 261-TK2 | - |
| 261-6 | 261-TK2 | - |
| 259 | 259-TK1 | 259-THK1 |

Specifications at 6.2 bar (90 psi)

| 3/4" ■ | Nm | Max. Nm | 1 min. rpm | 1 min. | kg | L | AIR NPTF | AIR mm | L/s | Max L/s | dB(A) | m/s ² / K(1) |
|---------------------|-----------|---------|------------|--------|------|-----|----------|--------|-----|---------|-------|-------------------------|
| 2145QiMAX-AP | 271-1 220 | 1 830* | 6 300 | 1 150 | 3.35 | 217 | 3/8" | 13 | 4.0 | 15.1 | 96.3 | 8.7 / 2.7 |
| 2145QiMAX-3 | 271-1 220 | 1 830* | 6 300 | 1 150 | 3.79 | 293 | 3/8" | 13 | 4.0 | 15.1 | 96.3 | 8.1 / 1.2 |
| 2145QiMAX-6 | 271-1 220 | 1 830* | 6 300 | 1 150 | 4.23 | 369 | 3/8" | 13 | 4.0 | 15.1 | 96.3 | 8.1 / 1.2 |
| 2161XP | 407-1 356 | 1 695 | 6 000 | 1 025 | 5.35 | 216 | 3/8" | 13 | 4.7 | 21.5 | 94.7 | 9.8 / 1.8 |
| 2161XP-6 | 407-1 356 | 1 695 | 6 000 | 1 025 | 5.94 | 370 | 3/8" | 13 | 4.7 | 21.5 | 94.7 | 9.8 / 1.8 |
| 261 | 271-813 | 1 491 | 5 500 | 1 000 | 5.62 | 224 | 3/8" | 13 | 4.5 | 17.9 | 98.1 | 10.4 / 1.3 |
| 261-3 | 271-813 | 1 491 | 5 500 | 1 000 | 5.90 | 300 | 3/8" | 13 | 4.5 | 17.9 | 98.1 | 10.4 / 1.3 |
| 261-6 | 271-813 | 1 491 | 5 500 | 1 000 | 6.21 | 376 | 3/8" | 13 | 4.5 | 17.9 | 98.1 | 10.4 / 1.3 |
| 259 | 271-1 085 | 1 424 | 6 500 | 1 000 | 4.00 | 218 | 3/8" | 10 | 3.8 | 14.2 | 91.6 | 6.4 / 0.8 |

(1) ISO28927 – 3-axis measurement: vibration level / measurement uncertainty. * Reverse bias